

Load Rating Chart

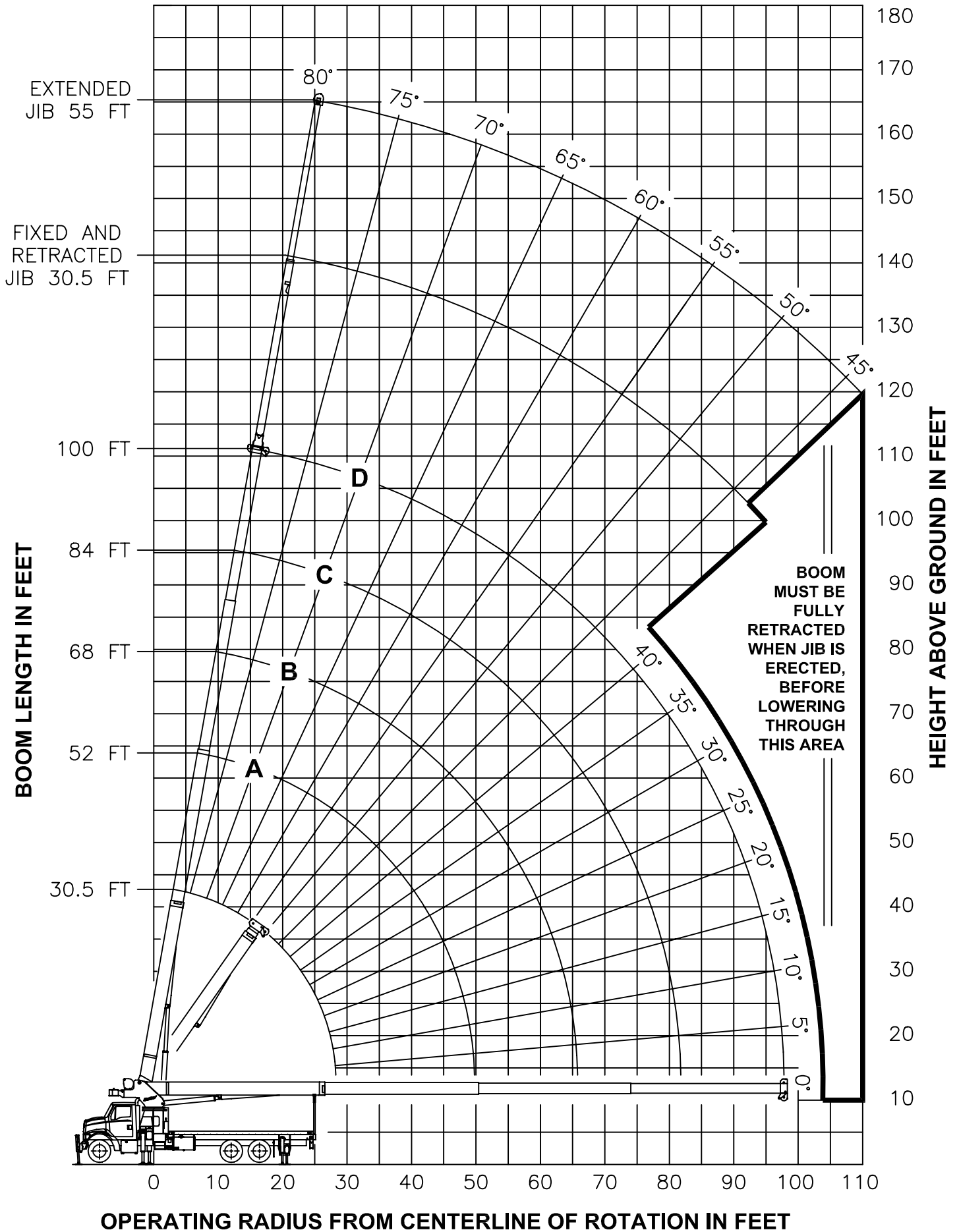
Model 35100C & 35100T



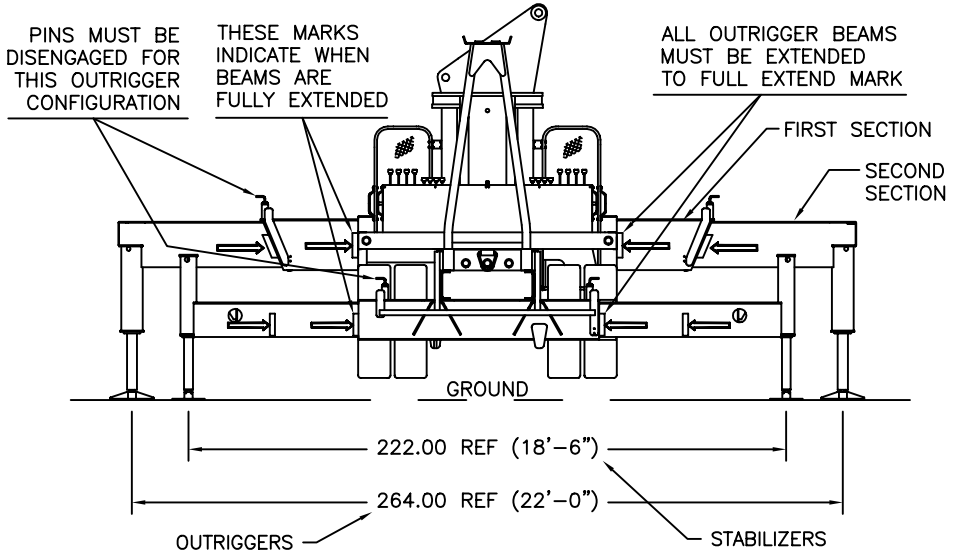
©Manitex

NOTE: Additional copies of this Load Rating Chart can be purchased from your Manitex Distributor. When ordering, use the part number shown in the bottom left corner of this page.

RANGE DIAGRAM - FULL SPREAD CONFIGURATION -



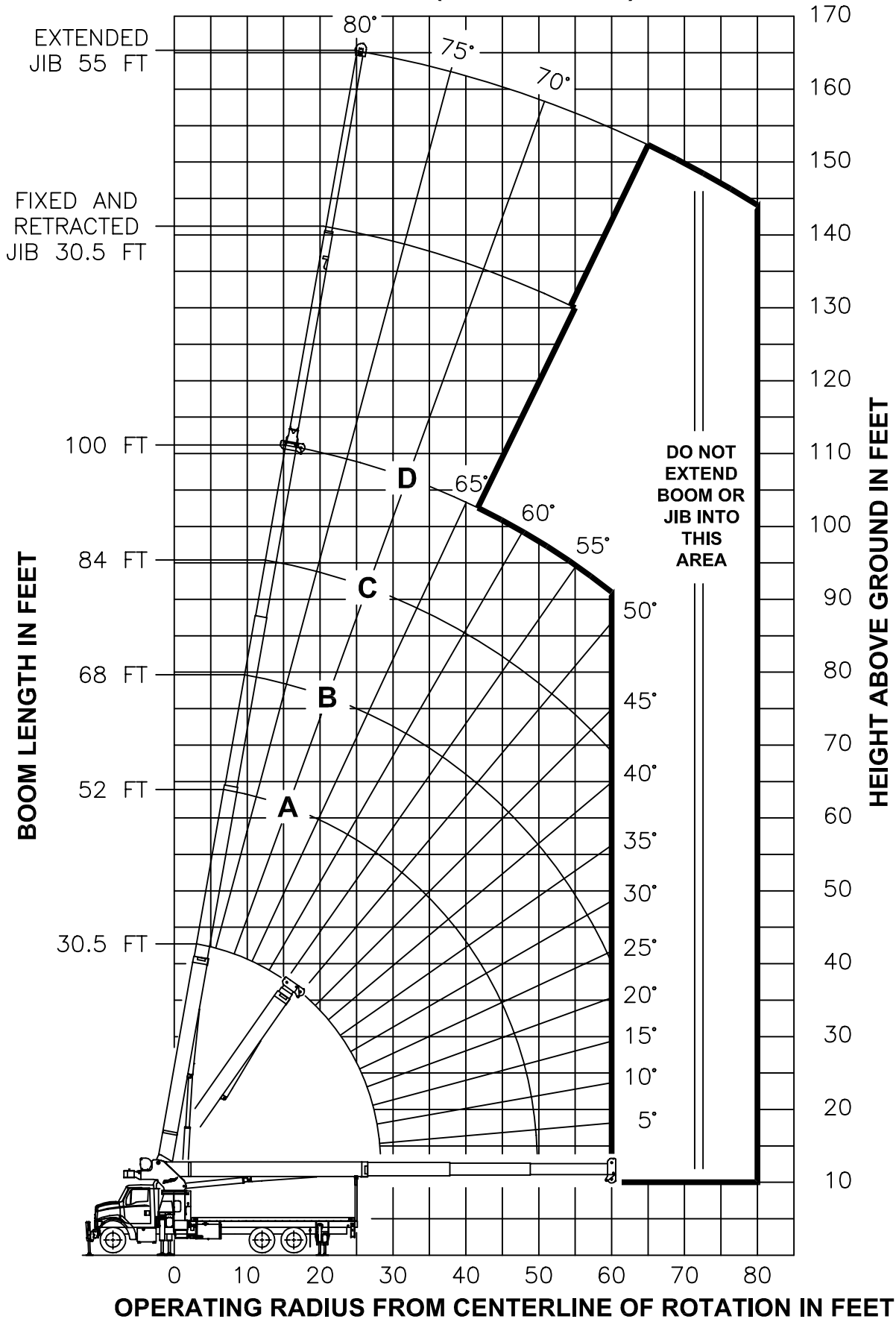
**USE THIS CHART ONLY
WHEN OUTRIGGERS
AND STABILIZERS ARE
FULLY EXTENDED**



- FULL SPREAD CONFIGURATION -

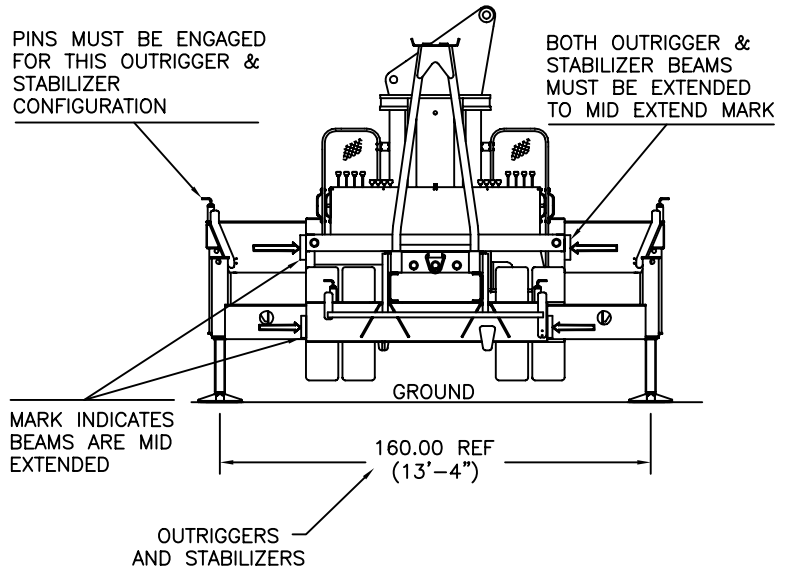
MAIN BOOM LOAD RATINGS IN LBS										JIB LOAD RATINGS IN LBS											
LMI CODE #1										LMI CODE #2											
OPERATING RADIUS FT	BOOM ANGLE		BOOM LENGTH AND MARKER		A		B		C		D		OPERATING RADIUS FT	FIXED JIB	TELESCOPIC JIB		OPERATING RADIUS FT	FIXED JIB	TELESCOPIC JIB		
	LOADED	BOOM ANGLE	BOOM LENGTH	AND MARKER	BOOM ANGLE	BOOM LENGTH	BOOM ANGLE	BOOM LENGTH	BOOM ANGLE	BOOM LENGTH	BOOM ANGLE	BOOM LENGTH		LMI CODE #2	LMI CODE #3	LMI CODE #4					
	30.5FT	52 FT	68FT	84 FT	100 FT									JIB LENGTH FOR ALL BOOM LENGTHS SEE WARNING NOTE 4	JIB LENGTH FOR ALL BOOM LENGTHS SEE WARNING NOTE 4	JIB LENGTH FOR ALL BOOM LENGTHS SEE WARNING NOTE 4		JIB LENGTH FOR ALL BOOM LENGTHS SEE WARNING NOTE 4	JIB LENGTH FOR ALL BOOM LENGTHS SEE WARNING NOTE 4	JIB LENGTH FOR ALL BOOM LENGTHS SEE WARNING NOTE 4	
	30.5FT	30.5 FT	30.5 FT	55 FT										30.5FT	30.5 FT	55 FT		30.5FT	30.5 FT	55 FT	
6	80	70000																			
8	76	53500																			
10	72	45670											10								
12	68	39830	78	31500									12								
15	61	33660	75	30330	79	28500							15								
20	49	24380	69	23790	75	22580	79	21780	80	14000			20								
25	33	18310	62	18810	70	18470	75	17690	78	13500			25								
30			56	14700	65	14850	71	14760	75	13000			30	79	7300	79	7000				
35			48	11350	60	11530	67	11630	72	11700			35	77	7100	77	6800	80	4000		
40			40	8910	55	9070	63	9170	69	9240			40	75	6800	75	6670	78	3850		
45			29	7120	50	7290	59	7380	66	7440			45	73	6450	73	6060	76	3700		
50					43	5930	55	6020	62	6080			50	71	5900	71	5510	74	3550		
55					36	4860	51	4950	59	5000			55	68	5200	68	4790	72	3400		
60					27	3990	46	4080	55	4140			60	65	4330	65	3920	70	3250		
65					12	3280	40	3370	51	3430			65	63	3610	63	3200	68	3040		
70							34	2770	47	2830			70	60	3010	60	2600	66	2830		
75							27	2270	43	2320			75	57	2500	57	2090	64	2640		
80							15	1830	38	1880			80	55	2060	55	1650	62	2310		
85									33	1500			85	52	1680	52	1260	60	1920		
90									26	1170			90	49	1350	49	930	58	1580		
95									17	870			95	45	1050	45	630	55	1280		
100													100	42	790			53	1010		
105													105	38	550			50	770		
110													110					47	560		
	600 LBS.	350 LBS.	270 LBS.	220 LBS.	180 LBS.	DEDUCTIONS FOR STOWED FIXED JIB															
	900 LBS.	530 LBS.	400 LBS.	330 LBS.	290 LBS.	DEDUCTIONS FOR STOWED TELESCOPIC JIB															

RANGE DIAGRAM - INTERMEDIATE SPREAD CONFIGURATION - (MID EXTEND)



NOTE : LIFTING PERSONNEL WITH CRANE IN THIS OUTRIGGER CONFIGURATION IS STRICTLY PROHIBITED. USE ONLY FULLY EXTENDED OUTRIGGER CONFIGURATION WHEN LIFTING PERSONNEL.

**USE THIS CHART ONLY
WHEN FRONT
OUTRIGGERS AND REAR
STABILIZERS ARE IN THE
INTERMEDIATE POSITION**

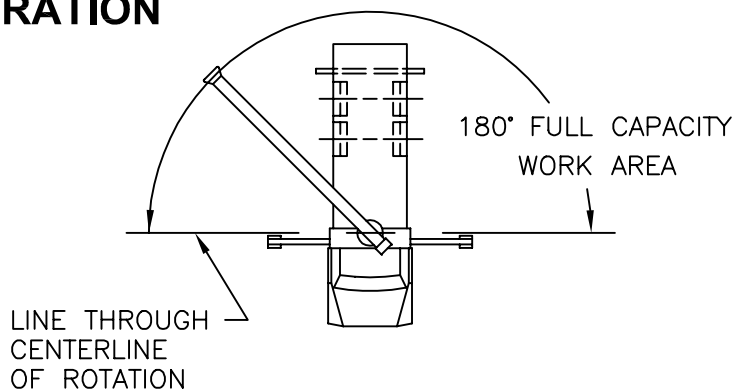


**- INTERMEDIATE SPREAD CONFIGURATION -
(MID EXTEND)**

MAIN BOOM LOAD RATINGS IN LBS										JIB LOAD RATINGS IN LBS							
LMI CODE #9										FIXED JIB		TELESCOPIC JIB					
OPERATING HEIGHT	LOADED BOOM ANGLE		BOOM LENGTH AND MARKER								LMI CODE #10	LMI CODE #11		LMI CODE #12			
	BOOM ANGLE	JIB LENGTH FOR ALL BOOM LENGTHS SEE WARNING NOTE 4	BOOM ANGLE	JIB LENGTH FOR ALL BOOM LENGTHS SEE WARNING NOTE 4	BOOM ANGLE	JIB LENGTH FOR ALL BOOM LENGTHS SEE WARNING NOTE 4	BOOM ANGLE	JIB LENGTH FOR ALL BOOM LENGTHS SEE WARNING NOTE 4	BOOM ANGLE	JIB LENGTH FOR ALL BOOM LENGTHS SEE WARNING NOTE 4	BOOM ANGLE	JIB LENGTH FOR ALL BOOM LENGTHS SEE WARNING NOTE 4	BOOM ANGLE	JIB LENGTH FOR ALL BOOM LENGTHS SEE WARNING NOTE 4	BOOM ANGLE	JIB LENGTH FOR ALL BOOM LENGTHS SEE WARNING NOTE 4	
	30.5FT	52 FT	68FT	84 FT	100 FT												
6	80	70000															
8	76	53500															
10	72	45670															
12	68	39830	78	31500													
15	61	24990	75	25720	79	25970											
20	49	13840	69	14460	75	14660	79	14780	80	14000							
25	33	8760	62	9340	70	9520	75	9630	78	9700							
30			56	6410	65	6580	71	6680	75	6750	30	79	6940	79	6520		
35			48	4520	60	4680	67	4780	72	4840	35	77	5010	77	4590	80	4000
40			40	3190	55	3350	63	3440	69	3500	40	75	3670	75	3240	78	3850
45			29	2210	50	2360	59	2450	66	2510	45	73	2680	73	2250	76	2970
50					43	1610	55	1690	62	1750	50	71	1910	71	1480	74	2190
55					36	1010	51	1090	59	1150	55	68	1310	68	870	72	1570
60					27	520	46	600	55	660	60	65	810			70	1070
65											65					68	660
	600 LBS.	350 LBS.	270 LBS.	220 LBS.	180 LBS.	DEDUCTIONS FOR STOWED FIXED JIB											
	900 LBS.	530 LBS.	400 LBS.	330 LBS.	290 LBS.	DEDUCTIONS FOR STOWED TELESCOPIC JIB											

ALLOWABLE LINE PULL								WARNING
1 PART LINE	2 PART LINE	3 PART LINE	4 PART LINE	5 PART LINE	6 PART LINE	7 PART LINE	8 PART LINE	
								<p>ANTI-TWO-BLOCK SYSTEM MUST BE IN GOOD OPERATING CONDITION BEFORE OPERATING CRANE.</p> <p>REFER TO THE OWNER'S MANUAL.</p> <p>KEEP AT LEAST 3 WRAPS OF LOAD LINE ON THE DRUM AT ALL TIMES.</p>
9080 LBS	18160 LBS	27240 LBS	36320 LBS	45400 LBS	54480 LBS	63560 LBS	70000 LBS	5/8" ROT RESISTANT (5.0:1 SF) - 45400 LBS MIN BREAKING STRENGTH
9500 LBS	19000 LBS	28500 LBS	38000 LBS	47500 LBS	57000 LBS	66500 LBS	70000 LBS	5/8" 6 X 25 IWRC (3.5:1 SF) - 33250 LBS MIN BREAKING STRENGTH

AREA OF OPERATION



DEDUCTIONS FROM RATED LOADS FOR LOAD HANDLING DEVICES SUPPLIED BY MANITEX.

- AUXILIARY BLOCK — — — — — 50 LBS
- OVERHAUL BALL — — — — — SEE OVERHAUL BALL MANUFACTURER NAMEPLATE
- LOAD BLOCK — — — — — SEE BLOCK MANUFACTURER NAMEPLATE
- HOSE REEL — — — — — 260 LBS
- SWING AROUND JIB — — — — — SEE LOAD CHART

LMI OPERATING CODES

SETTING	CRANE CONFIGURATION	OUTRIGGER CONFIGURATION
#1	— MAIN BOOM	FULLY EXTENDED
#2	— FIXED JIB	FULLY EXTENDED
#3	— TELESCOPIC JIB—RETRACTED	FULLY EXTENDED
#4	— TELESCOPIC JIB—EXTENDED	FULLY EXTENDED
#5	— PERSONNEL LIFTING PLATFORM ON MAIN BOOM	FULLY EXTENDED
#6	— PERSONNEL LIFTING PLATFORM ON FIXED JIB	FULLY EXTENDED
#7	— PERSONNEL LIFTING PLATFORM ON TELESCOPIC JIB—RETRACTED	FULLY EXTENDED
#8	— PERSONNEL LIFTING PLATFORM ON TELESCOPIC JIB—EXTENDED	FULLY EXTENDED
#9	— MAIN BOOM	INTERMEDIATE
#10	— FIXED JIB	INTERMEDIATE
#11	— TELESCOPIC JIB—RETRACTED	INTERMEDIATE
#12	— TELESCOPIC JIB—EXTENDED	INTERMEDIATE

WARNING

1. THE OPERATOR MUST READ AND UNDERSTAND THE OWNER'S MANUAL BEFORE OPERATING THIS CRANE.
2. POSITIONING OR OPERATION OF CRANE BEYOND AREAS SHOWN ON THIS CHART IS NOT INTENDED OR APPROVED EXCEPT WHERE SPECIFIED IN OWNER'S MANUAL.
3. LOADED BOOM ANGLES AT SPECIFIED BOOM LENGTHS GIVE ONLY AN APPROXIMATION OF THE OPERATING RADIUS. THE BOOM ANGLE BEFORE LOADING SHOULD BE GREATER TO ACCOUNT FOR DEFLECTIONS. DO NOT EXCEED THE OPERATING RADIUS FOR RATED LOADS.
4. THE OPERATING RADIUS SHOWN IN THE JIB RATING CHART IS FOR FULLY EXTENDED BOOM ONLY. WHEN BOOM IS NOT FULLY EXTENDED, USE ONLY LOADED BOOM ANGLE TO DETERMINE LOAD RATING OF JIB.
5. FOR BOOM ANGLES NOT SHOWN ON JIB LOAD RATING CHART, USE RATING OF NEXT LOWER BOOM ANGLE.
6. FOR BOOM LENGTHS NOT SHOWN, USE RATING OF NEXT SHORTER OR LONGER BOOM LENGTH, WHICHEVER IS LESS. FOR RADII NOT SHOWN, USE RATING OF NEXT LONGER RADIUS.
7. CRANE LOAD RATINGS ON OUTRIGGERS ARE BASED ON FREELY SUSPENDED LOADS WITH THE MACHINE LEVELED AND STANDING ON A FIRM UNIFORM SUPPORTING SURFACE. NO ATTEMPT SHALL BE MADE TO MOVE A LOAD HORIZONTALLY ON THE GROUND IN ANY DIRECTION.


WARNING (CONTINUED)

8. PRACTICAL WORKING LOADS DEPEND ON SUPPORTING SURFACE, WIND, AND OTHER FACTORS AFFECTING STABILITY SUCH AS HAZARDOUS SURROUNDINGS, EXPERIENCE OF PERSONNEL, AND PROPER HANDLING, ALL OF WHICH MUST BE TAKEN INTO ACCOUNT BY THE OPERATOR.
9. THE MAXIMUM LOAD WHICH MAY BE TELESCOPED IS LIMITED BY HYDRAULIC PRESSURE, BOOM ANGLE, AND BOOM LUBRICATION. IT IS SAFE TO ATTEMPT TO TELESCOPE ANY LOAD WITHIN THE LIMITS OF THE LOAD RATING CHART.
10. LIFTING OFF THE MAIN BOOM POINT WHILE THE SWING AROUND JIB IS ERECTED IS NOT INTENDED OR APPROVED.

INFORMATION

1. DEDUCTIONS MUST BE MADE FROM RATED LOADS FOR STOWED JIB, OPTIONAL ATTACHMENTS, HOOKS, AND LOADBLOCKS (SEE DEDUCTION CHART). WEIGHTS OF SLINGS AND ALL OTHER LOAD HANDLING DEVICES SHALL BE CONSIDERED A PART OF THE LOAD.
2. LOAD RATINGS ABOVE THE HEAVY LINE ARE STRUCTURALLY LIMITED CAPACITIES. LOAD RATINGS BELOW THE HEAVY LINE ARE STABILITY LIMITED CAPACITIES AND DO NOT EXCEED 85% OF TIPPING.

DEFINITIONS

1. OPERATING RADIUS IS THE HORIZONTAL DISTANCE FROM THE AXIS OF ROTATION TO THE CENTER OF THE VERTICAL HOIST LINE OR TACKLE WITH LOAD APPLIED.
2. LOADED BOOM ANGLE AS SHOWN IN THE COLUMN HEADED BY , IS THE INCLUDED ANGLE BETWEEN THE HORIZONTAL AND LONGITUDINAL AXES OF THE BOOM BASE AFTER LIFTING RATED LOAD AT RATED RADIUS.